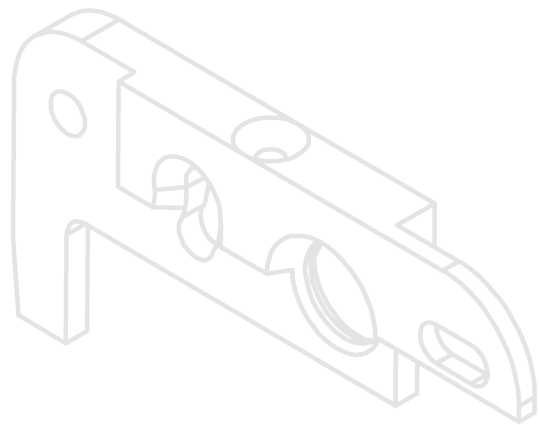
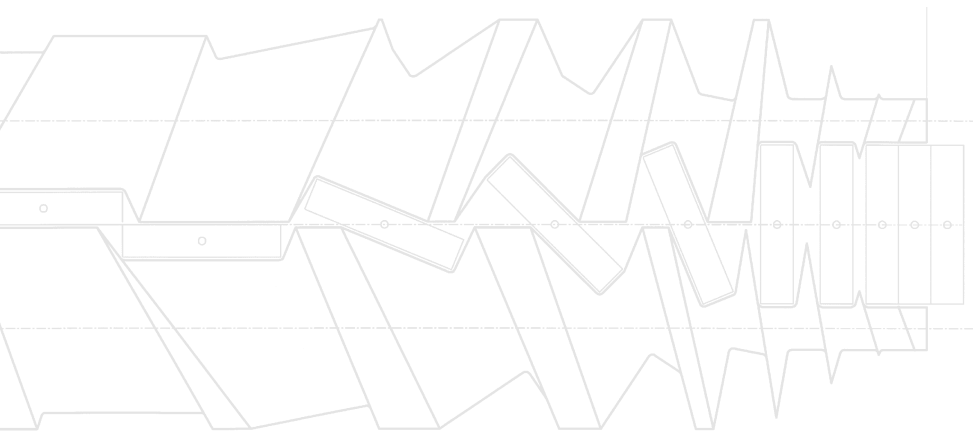




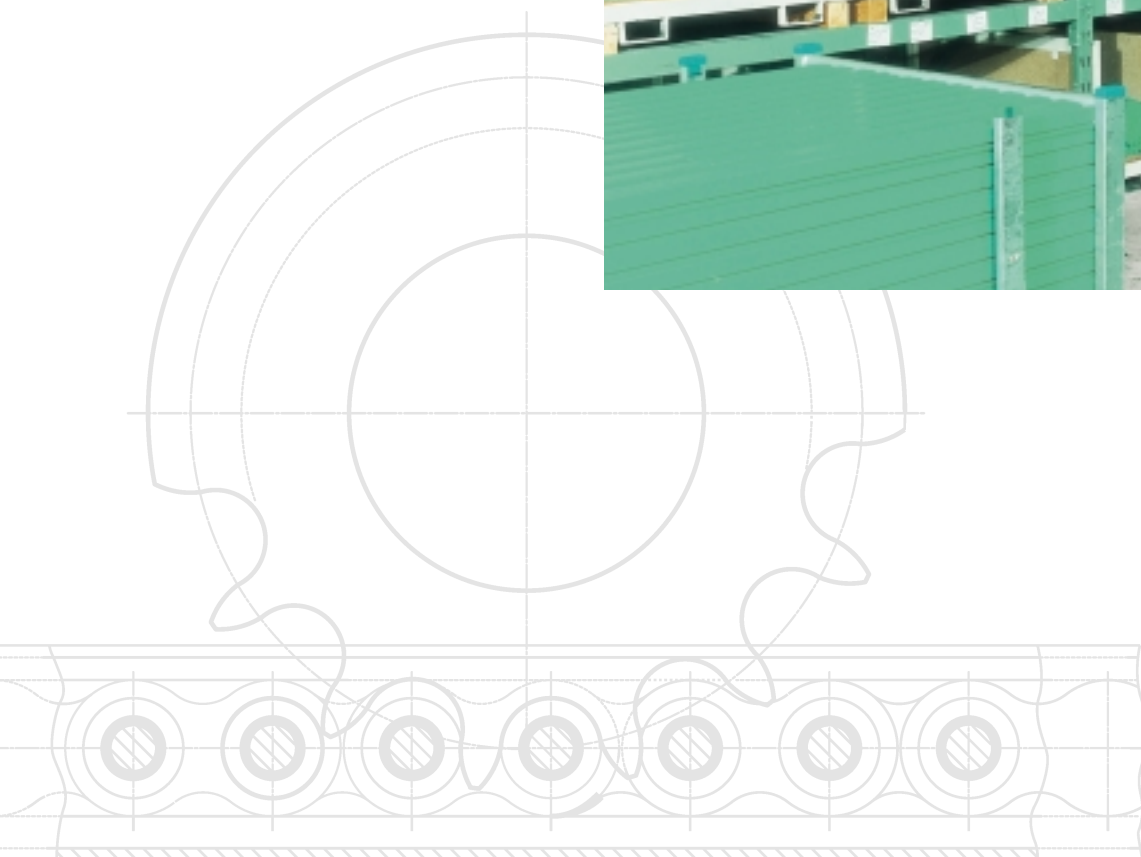
Materials



Large Stocks – Fast Deliveries

Minimum project duration and timely order processing are among the prerequisites for meeting the needs of the market.

Our generous storage capacities ensure that our wide range of materials is always available ex stock.



Materials Selection Chart

Technical Materials & High-Performance Materials

	Material "S"8000®	Original Material "S"®green/ natural	Original Material "S"® black antistatic	Material "S"1000® green	Material "S"1000® black antistatic	Muralen®	Murlubric®
Pages:	24–26	27–30	27–30	31–33	31–33	–	34–37
Colour	anthracite	green/white	black	green	black	white	black
Approved for contact with food ³⁾	0	++	++	0	0	++	0
Abrasion resistance	++	++	++	+	+	±	++
Slide properties	++	++	++	++	++	+	++
Insulating	++	++	0	++	0	++	+
Antistatic	0	0	++	0	++	0	0
Suitable for use in moisture	++	++	++	++	++	++	±
UV resistance (UVA, UVB)	++	±	+	±	+	±	+
Mechanical stress resistance	+	+	+	±	±	±	+
Temperature tolerance range (°C)	–200/+80	–200/+80	–200/+80	–150/+80	–150/+80	–100/+80	–40/+100
pH limits for pure solutions/compounds ¹⁾	1–14	1–14	1–14	1–14	1–14	1–14	4–12
	Murylon® B natural	Murylon® A+GF	Murylon® 6G natural	Murylon® SC	Murdopol®	Murytal® C	Murylat®
Pages:	38–46	41–46	44–46	47–49	50–53	54–56	60–62
Colour	white	black	beige	beige	beige	white	white
Approved for contact with food ³⁾	++	0	±	0	0	++	++
Abrasion resistance	+	±	+	+	+	±	+
Slide properties	+	±	+	+	+	±	+
Insulating	+	+	+	+	+	++	++
Antistatic	0	0	0	0	0	0	0
Suitable for use in moisture	±	±	±	±	+	++	++
UV resistance (UVA, UVB)	+	+	+	+	+	–	+
Mechanical stress resistance	+	++	+	+	++	+	+
Temperature tolerance range (°C)	–40/+90	–20/+120	–30/+105	–40/+90	–50/+120	–50/+115	–20/+115
pH limits for pure solutions/compounds ¹⁾	4–12	4–12	4–12	4–12	4–12	4–13	1–9
	Murylat® SP	Murylon® HT	Murinyl®	Murflor®	Murdotec® SP	Murpec®	Murpec® SP
Pages:	60–62	63–65	66–68	69–72	73–75	76–78	76–78
Colour	light grey/white	reddish brown	white	white	dark blue	beige	black
Approved for contact with food ³⁾	++	0	++	++	0	++	0
Abrasion resistance ^{1)/2)}	++	+/++	+/±	±/±	+/++	±/±	++/++
Slide properties ^{1)/2)}	++	+/++	+/+	++/++	±/++	±/+	+/++
Insulating	++	+	++	++	++	++	0
Antistatic	0	0	0	0	0	0	++
Suitable for use in moisture	++	±	++	++	++	++	++
UV resistance (UVA, UVB)	+	+	++	++	++	++	++
Mechanical stress resistance	+	+	±	±	++	++	++
Temperature tolerance range (°C)	–20/+115	–40/+155	–50/+150	–200/+260	–20/+220	–60/+250	–30/+250
pH limits for acids and alkalis	1–9	4–12	1–14	1–14	1–14	1–14	1–14

1) = room temperature 2) = increased temperature + suitable/good ++ highly suitable/approved ± limited/moderate 0 none – not suitable

3) = Approval for use in contact with food:

The raw materials used in the manufacture of semi-finished products made from those of our materials marked ++ conform to at least one of the following FDA (Food & Drug Administration), BGV (Consumer Goods Regulation), BGVV (German Federal Institute for Consumer Health Protection & Veterinary Medicine) guidelines as well as to the EU Guideline 90/128/EWG and its addenda. On request, an individual approval certificate for materials marked + is available at cost. Our application engineers will be pleased to give you more detailed information on any of our materials.