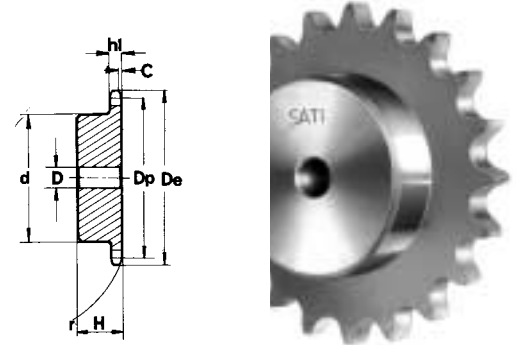


PIGNONI SEMPLICI IN ACCIAIO INOX AISI 304 L
SIMPLEX SPROCKETS 304 L STAINLESS-STEEL
EINFACH KETTENRÄDER AUS ROSTFREIEM STAHL AISI 304 L
PIGNONS SIMPLES EN ACIER INOXYDABLE AISI 304 L
PIÑONES SIMPLES EN ACERO INOXIDABLE AISI 304 L

3/8" x 7/32" - 06 B1

Z	D _e	D _p	PS			
			cod.	d	D	H
13	43,0	39,80	PS 05X13	28	10	25
14	46,3	42,80	PS 05X14	31	10	25
15	49,3	45,81	PS 05X15	34	10	25
16	52,3	48,82	PS 05X16	37	10	28
17	55,3	51,83	PS 05X17	40	10	28
18	58,3	54,85	PS 05X18	43	10	28
19	61,3	57,85	PS 05X19	45	10	28
20	64,3	60,89	PS 05X20	46	10	28
21	68,0	63,91	PS 05X21	48	12	28
22	71,0	66,93	PS 05X22	50	12	28
23	73,5	69,95	PS 05X23	52	12	28
24	77,0	72,97	PS 05X24	54	12	28
25	80,0	76,00	PS 05X25	57	12	28
30	94,7	91,12	PS 05X30	60	12	28

Pignoni per catene semplici, a rulli DIN 8187 - ISO/R 606
 Sprockets for simplex, chain to DIN 8187 - ISO/R 606
 Kettenräder mit einseitiger Nabe für Simplex-Rollenkette nach:
 DIN 8187 - ISO/R 606
 Pignons avec moyeu déporté pour chaînes simples, à rouleaux
 suivant les normes: DIN 8187 - ISO/R 606
 Piñones para cadena, de rodillos según las normas: DIN 8187 -
 ISO/R 606



1/2" x 5/16" - 08 B1

Z	D _e	D _p	PS			
			cod.	d	D	H
12	53,0	49,03	PS 09X12	33	10	28
13	57,4	53,06	PS 09X13	37	10	28
14	61,8	57,07	PS 09X14	41	10	28
15	65,5	61,09	PS 09X15	45	10	28
16	69,5	65,10	PS 09X16	50	12	28
17	73,6	69,11	PS 09X17	52	12	28
18	77,8	73,14	PS 09X18	56	12	28
19	81,7	77,16	PS 09X19	60	12	28
20	85,8	81,19	PS 09X20	64	12	28
21	89,7	85,22	PS 09X21	68	14	28
22	93,8	89,24	PS 09X22	70	14	28
23	98,2	93,27	PS 09X23	70	14	28
24	101,8	97,29	PS 09X24	70	14	28
25	105,8	101,33	PS 09X25	70	14	28
26	110,0	105,36	PS 09X26	70	16	30
30	126,1	121,50	PS 09X30	80	16	30

3/4" x 7/16" - 12 B1

Z	D _e	D _p	PS			
			cod.	d	D	H
12	81,5	73,60	PS 11X12	52	14	35
13	87,5	79,59	PS 11X13	58	14	35
14	93,6	85,61	PS 11X14	64	14	35
15	99,8	91,63	PS 11X15	70	14	35
16	105,5	97,65	PS 11X16	75	16	35
17	111,5	103,67	PS 11X17	80	16	35
18	118,0	109,71	PS 11X18	80	16	35
19	124,2	115,75	PS 11X19	80	16	35
20	129,7	121,78	PS 11X20	80	16	35
21	136,0	127,82	PS 11X21	90	20	40
22	141,8	133,86	PS 11X22	90	20	40
23	149,0	139,90	PS 11X23	90	20	40
24	153,9	145,94	PS 11X24	90	20	40
25	160,0	152,00	PS 11X25	90	20	40
30	190,5	182,25	PS 11X30	95	20	40

5/8" x 3/8" - 10 B1

Z	D _e	D _p	PS			
			cod.	d	D	H
12	68,0	61,34	PS 10X12	42	12	30
13	73,0	66,32	PS 10X13	47	12	30
14	78,0	71,34	PS 10X14	52	12	30
15	83,0	76,36	PS 10X15	57	12	30
16	88,0	81,37	PS 10X16	60	14	30
17	93,0	86,39	PS 10X17	60	14	30
18	98,3	91,42	PS 10X18	70	14	30
19	103,3	96,45	PS 10X19	70	14	30
20	108,4	101,49	PS 10X20	75	14	30
21	113,4	106,52	PS 10X21	75	16	30
22	118,0	111,55	PS 10X22	80	16	30
23	123,4	116,58	PS 10X23	80	16	30
24	128,3	121,62	PS 10X24	80	16	30
25	134,0	126,66	PS 10X25	80	16	30
30	158,8	151,87	PS 10X30	90	20	35

1" x 17,02 mm - 16 B1

Z	D _e	D _p	PS			
			cod.	d	D	H
12	109,0	98,14	PS 12X12	69	16	40
13	117,0	106,12	PS 12X13	78	16	40
14	125,0	114,15	PS 12X14	84	16	40
15	133,0	122,17	PS 12X15	92	16	40
16	141,0	130,20	PS 12X16	100	20	45
17	149,0	138,22	PS 12X17	100	20	45
18	157,0	146,28	PS 12X18	100	20	45
19	165,2	154,33	PS 12X19	100	20	45
20	173,2	162,38	PS 12X20	100	20	45
21	181,2	170,43	PS 12X21	110	20	50
22	189,3	178,48	PS 12X22	110	20	50
23	197,5	186,53	PS 12X23	110	20	50
24	205,5	194,59	PS 12X24	110	20	50
25	213,5	202,66	PS 12X25	110	20	50
30	254,0	243,00	PS 12X30	120	20	50

AGENTE CORROSIVO		CONCENTRAZIONE CONCENTRATION %	TEMPERATURA TEMPERATURE • C	304 L
ACETO	VINEGAR		20	A
ACIDO ACETICO	ACETIC ACID	5-100	20	A
ACIDO BUTIRRICO	BUTYRIC ACID	5-10	Bollente-Boiling	C
ACIDO CITRICO	CITRIC ACID	5	20-65	A
ACIDO CLORIDRICO	HYDROCHLORIC ACID	15	Bollente-Boiling	A
ACIDO CROMICO	CHROMIC ACID	5	20	E
ACIDO FORMICO	FORMIC ACID	10	20	A
ACIDO FOSFORICO	PHOSPHORIC ACID	10	50	B
		1	20	A
		5-10	20	C
ACIDO LATTICO	LACTIC ACID	5	20	A
		5	65	B
		10	20	A
		10	Bollente-Boiling	B
ACIDO NITRICO	NITRIC ACID	5-50	20	A
		50	Bollente-Boiling	A
ACIDO OLEICO	OLEIC ACID	100	Bollente-Boiling	D
		100	20	B
ACIDO SOLFORICO	SULPHURIC ACID	5	20	A
		5	Bollente-Boiling	E
		50	20	D
		50	Bollente-Boiling	E
		100	20	A
		100	Bollente-Boiling	D
ACIDO TARTARICO	TARTAR ACID	10	20-65	A
ACQUA DOLCE	WATER			A
ACQUA MARINA	SEA WATER			A
ALCOOL ETILICO	ETHYL ALCOHOL		20-Bollente-Boiling	A
ALCOOL METILICO	METHYL ALCOHOL		20	A
			65	C
AMMONIACA	AQUA AMMONIA		20	A
BENZINA	GASOLINE		20	A
BIRRA	BEER			A
CAFFÈ	COFFEE		Bollente-Boiling	A
CARBONATO DI SODIO	SODIUM CARBONATE		20-65	A
CLOROFORMIO	CHLOROFORM	5	20	A
CLORURO FERRICO	FERRIC CHLORIDE	1	20	B
		5	20	D
CLORURO DI SODIO	SODIUM CHLORIDE	5-20	20-65	A
CLORURO DI ZINCO	ZINC CHLORIDE	5	20	A
GELATINA	GELATINE			A
GLICERINA	GLYCERINE			A
IDROSSIDO DI CALCIO	HYDROXIDE CALCIUM	10-20	Bollente-Boiling	A
		50	Bollente-Boiling	C
KETCHUP	KETTCHUP		20	A
LATTE	MILK		65	A
MAYONNAISE	MAYONNAISE		20	A
SAPONE	SOAP		20	A
SCIROPPO	SYRUP			A
SOLFATO DI ZINCO	ZINC SULPHATE	5-100	20	A
SUCCHI DI FRUTTA	FRUIT JUICE			A
TIOSOLFATO DI SODIO	SODIUM THIOSULFATE	5-10	20-65	A
TRICLOROETILENE	TRICHLOROETHYLENE	100	20	C
VERNICI	PAINT			A
VINO	WINE			A
WHISKY	WHISKY			A
ZUCCHERO DI CANNA	CANE SUGAR			A

A: ECCELLENTE - Excellent (Corrosion Rate below 0,0089 mm/month)

B: SODDISFACENTE - Satisfactory (Corrosion Rate 0,0089-0,089 mm/month)

C: MARGINALE - Marginale (Corrosion Rate 0,089-0,25 mm/month)

D: INSODDISFACENTE - Unsatisfactory (Corrosion Rate 0,25-0,89 mm/month)

E: NON RACCOMANDABILE - Not recommendable (Corrosion Rate over 0,0089 mm/month)